

AK23 Series Elevator Push Buttons



| Button Optional | Feature |
|--------------------------------------------------------------------------------------------------------------------------------------------------------------------------------------------------------------------------------------------------------------------------------------------------------------------------------------------------------------------------------------------------------------------------------------------------------------------|-------------------------------------------------------------------------------------------------------------------------------------------------------------------------------------------------------------------------------------------------------------------------------------------------------------------------------------------------------------------------------------------------------------------------------------------------------------------------------------------|
| <ul style="list-style-type: none"> 1) LED color: red LED,blue LED,yellow LED, other color LED 2) Braille: without braille, braille in button surface 3) Button surface: flat surface 4) Connection:wire connection 5) Voltage:DV24V,DC12V 6) Normal open,normal closed 7) Number and figure in buttons surface: 1,2,3...64,DOOR OPEN,DOOR CLOSE, ARROW UP,ARROW DOWN,ALARM,CALL, G,B,P,B1,etc | <ul style="list-style-type: none"> 1) Button surface material:outer frame material is ABS chrome plating,button surface cover material is stainless steel 2) The thickness of installation plate:2-7mm 3) Installed by plastic clipping,very easy to install 4) Fire-proof components,in accordance with European standard EN-81 5) Life: more then 5 million of operation life 6) General use type,suitable for all elevator |

Web:www.elevator-buttons.com

Email:sales@elevator-buttons.com

Circuit Diagram:

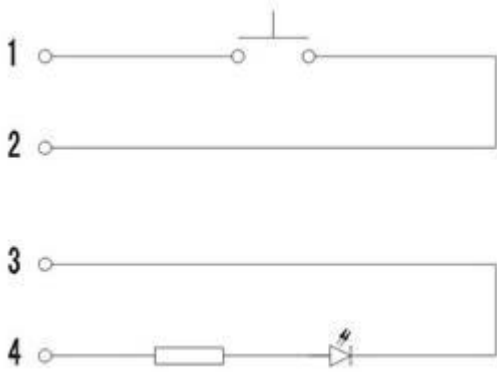
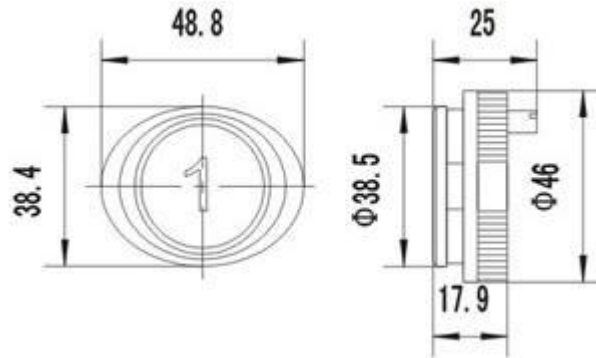


Figure Dimension:



Install Mounting Dimension:

