

AK16 Series Elevator Push Buttons



Feature

- 1) Button surface material: outer frame material is ABS, button surface cover material is stainless steel
- 2) The thickness of installation plate: 2-3mm
- 3) Installed by plastic clipping
- 4) Power lock

Circuit Diagram:

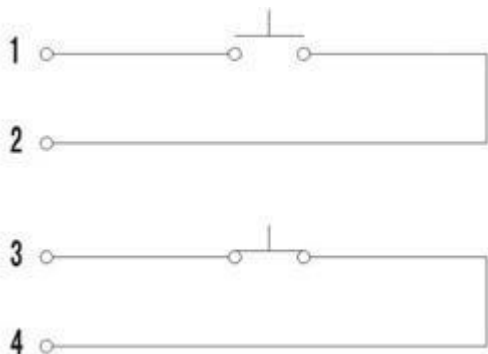
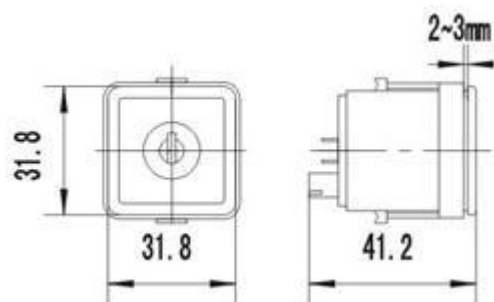
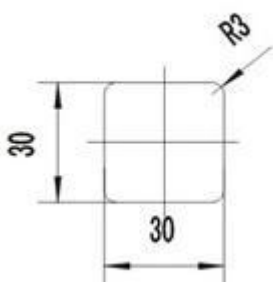


Figure Dimension:



Install Mounting Dimension:



Web: www.elevator-buttons.com

Email: sales@elevator-buttons.com