

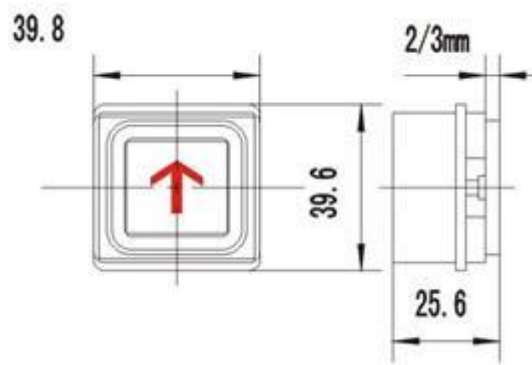
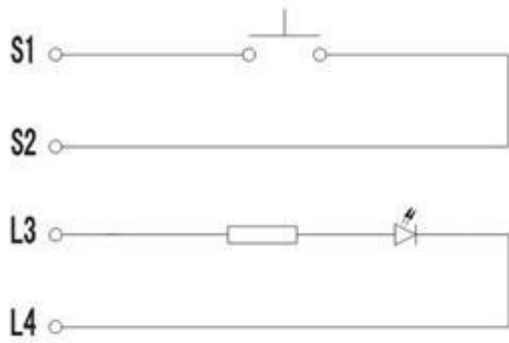
## AK06 Series Elevator Push Buttons



Button Optional	Feature
<ul style="list-style-type: none"> <li>1) LED color: red LED,blue LED,yellow LED, other color LED</li> <li>2) Braille: without braille in the button surface</li> <li>3) Button surface: flat surface</li> <li>4) Connection:wire connection</li> <li>5) Voltage:DV24V,DC12V</li> <li>6) Normal open,normal closed</li> <li>7) Number and figure in buttons surface: 1,2,3...64,DOOR OPEN,DOOR CLOSE, ARROW UP,ARROW DOWN, ALARM, CALL, G,B,P,B1,etc</li> </ul>	<ul style="list-style-type: none"> <li>1) Button surface material:outer frame material is ABS,button surface cover material is transparent PC or stainless steel</li> <li>2) The thickness of installation plate:2-3mm</li> <li>3) Installed in panel with welded screw</li> <li>4) Fire-proof components,in accordance with European standard EN-81</li> <li>5) Life: more then 5 million of operation life</li> <li>6) Reference supplied for TOSHIBA elevator</li> </ul>

**Circuit Diagram:**

**Figure Dimension:**



**Install Mounting Dimension:**

